



www.truelite.us

ALBINA

SERIES-B: LED STREET LIGHT

160W

Features

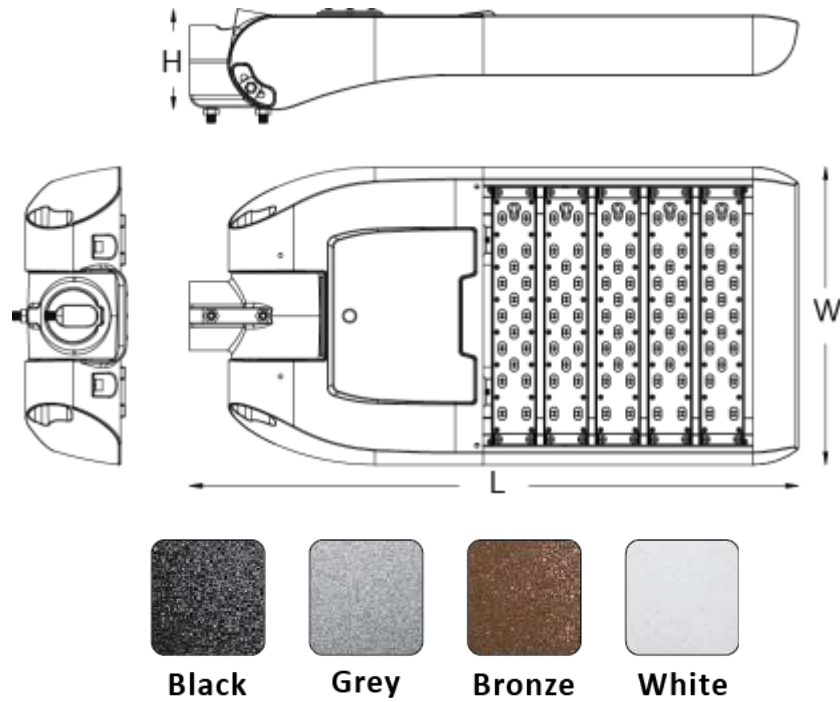
Truelite Albina series-B LED Streetlight luminaries are designed to replace conventional fixtures. Its compact design allows increased mounting versatility and ease of installation. The long lived LED luminaries are designed to meet the most demanding specification criteria while offering maximum energy savings, reduced maintenance costs, and a superior quality of light. Our led street light offer improved night time visibility, safety through better color rendering, more uniform lighting distributions and the elimination of many dark areas between poles. It also works with intelligent street light system. The design adheres to relevant safety and street lighting standards and the technology has attractive energy-saving capacity of up to 70% against traditional fixtures.

- Wide input voltage range
- More than 70% energy savings, long life and high reliability
- Robust housing to stand harsh environments
- Die casting aluminum alloy body, electrostatic spray treatment withstand high temperature and acid, alkali resistance
- Integrated with LED module with independent control, easy maintenance
- Patens structure, 0-90° angle adjustable lighting installation
- Compatible to work with solar and wind energy for more energy saving
- Low electromagnetic emission
- Easy to mount & focus
- High Luminous Efficiency
- IP 67 rating
- Lamp holder adjustable from 0-65 degree
- Instant start , no flickering and long switching life
- CE, RoHS Certifications

Product Specification

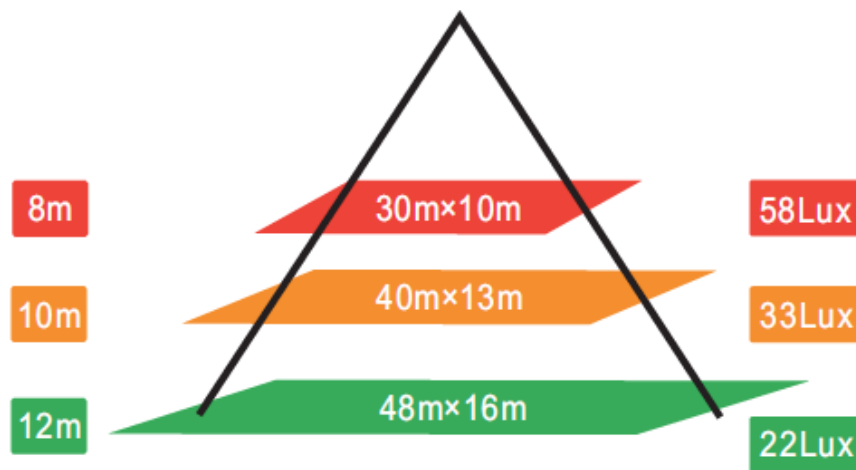
Electrical Data	
Operating Voltage	AC 120 ~ 277 VAC
No of LEDs	72
Frequency	50/60Hz
Driver Power Efficiency	>90%
Rated power	160W
Power Factor(PF)	>0.95
Total Harmonic Distortion	< 20%
Power supply	Isolated type
Dimming	Optional
Light Data	
Color Temperature	3000K/4000K/5000K/5700K
Color Rendering Index	>70
Beam Angle	10°,25°,40°,60°,90°,120°.
Efficiency of led	108 lm/W
Luminous flux	16355lm
Led chip	Cree
Service Life	>50000 Hours
Environmental Data	
Working Ambient Temperature	-40° To +50°
IP Grade	IP 67
Relative Humidity(RH)	10%-95%
Cooling	Conventional
Certificate	UL/ CUL /DLC/ LM79 / ENEC /CB/CE/ ERP/ RoHS /PSE /IK08
Mechanical Data	
Product finish	Gray/Black/Bronze/White
Light Fixture Material	Aluminum
Dimension	643 x 345 x 116(mm) 25.31" X 13.58" X 4.57"
Weight	8.88kg(19.58lbs)
Luminaire Fixing	Pole mounted
*All parameters are measured @ ambient temperature Tc 25 degree	

Fixture



Unit: mm

Isolux Diagram



Application Area

Outdoor lighting plays a crucial role in the safety and security of our streets and public places. Today outdoor lighting has to be smarter to comply with new legislation, environmental challenges and requirements to reduce energy usage. This is where the latest outdoor, roadway and street lighting solutions from Truelite come into play. It is an Ideal for application at city branch, residential streets, courtyard, etc.

Ordering Code

Product Series	MODEL	OPTICAL LENS	CCT	OPTIONAL COLOR	LIGHTING CONTROL	ACCESSORY INFO
ALBINA Series-B	TSLB160	T1M	30K	GR***	00	Adaptor Bracket
		Type I Medium	3045	Grey	Not required	
		T2M	± 175K	(RAL:7004)		Bird Spike
		Type II Medium				
		T3M	40K***	BK	01	3/5/7-pin NEMA Receptacle
		Type III Medium	3985	Black	Photocell	
		T3L	± 275K	(RAL:9011)		
		Type III Long				
		T4S	50K***	BZ	02*	20KA Surge Protection Device
		Type IV Short	5028 ± 283K	Bronze	Moon Sensor	
		T5U		(RAL:8014)		
		Average Beam angle 10°	57K			
		T5V	5665	WH	03*	Backlight Control
		Average Beam angle 25°	± 355K	White	Photocell	
		T5W		(RAL:9010)	+ Moon Sensor	
		Average Beam angle 40°				
T5S			04*	Safety Cable		
Average Beam angle 60°			DALI			
T5M						
Average Beam angle 90°						
T5L						
Average Beam angle 120°						
T5D			05**			
Diffuser			1-10V dimming			

Drive current: 700mA

Example:

TLSLB160-T1M50K-GR00, TLSLB160-T1M40K-GR02, TLSLB160-T1M50K-GR05