



[www.truelite.us](http://www.truelite.us)

## LED DOWN LIGHT-COB

15W

Truelite led COB down light is a high grade indoor lighting for illumination and decoration, using Bridgelux led as light source. With aluminum alloy body case made by precise CNC machine, soft light and uniform illuminance, this is the best green light option for home and commercial lighting application. The long lived LED luminaries are designed to meet the most demanding specification criteria while offering maximum energy savings, reduced maintenance costs, and a superior quality of light. LEDs are extremely durable and built with sturdy components that are highly rugged and can withstand even the roughest conditions.

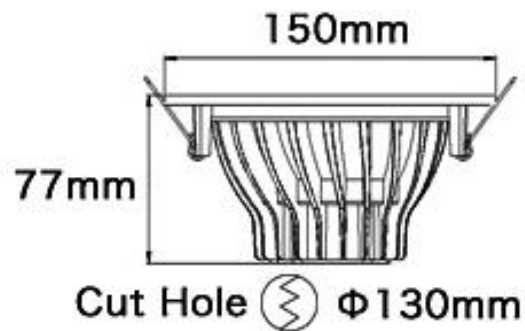
### Features

- Wide input voltage range
- Long life and high reliability
- Small in Size and Easy to mount
- High Luminous Efficiency
- COB LED, Bridgelux, high brightness and powerful, low light decay
- Instant start, no noise, no flickering and work steadily
- Eco friendly and energy savings
- Constant current drives give stable and safe working
- Good thermal property with special designed aluminum housing
- White, warm white, cool white colors are available
- Reflector caps make uniform illuminance, no light spot and no dark space
- Home and commercial lighting application
- CE, RoHS certifications

## Product Specification

Electrical Data	
Operating Voltage	AC 110 ~ 240 VAC
Frequency	50/60Hz
Driver Power Efficiency	>90%
Rated power	15W
Power Factor(PF)	>0.9
Total Harmonic Distortion	< 30%
Power supply	Isolated type
Dimming	No
Light Data	
Color Temperature	2700-6500K
Color Rendering Index	>75
Beam Angle	60°
LED Luminous efficiency	90 lm/W
Luminous flux	1350lm
Led chip	Bridgelux
LED Type	COB
Service Life	>50000 Hours
Environmental Data	
Working Ambient Temperature	-10° To +60°
Storage temperature	-20° To +80°
IP Grade	IP 44
Cooling	Conventional
Certificate	CE,RoHS
Mechanical Data	
Product finish	White
Light Fixture Material	Aluminum body, Clear glass Diffuser
Dimension	Ø150*77mm(DxH)
Cut out	Ø130mm
Luminaire Fixing	Recess mounted
*All parameters are measured @ ambient temperature Tc 25 degree	

## Fixture



## Application Area

Down lights are commonly used for ambient and directional lighting in both residential and commercial buildings. One of the earliest applications of solid-state lighting for general illumination, LED down lights are now widely available in a range of sizes and lumen packages, offering a viable alternative to incandescent and compact fluorescent products. Mainly used in Hotels, conference room, office, factories, hospitals, schools, homes and public building etc.

## Ordering Code

TLBDWL-COBW015-IH (Warm white)

TLBDWL-COBP015-IH (Pure white)

TLBDWL-COBC015-IH (Cool white)