



www.truelite.us

LED PANEL LIGHT-300X300

18W

Truelite panel lights are Ultra-thin fashion designed and are available in various sizes and watts. LED Panel Light use original imported organic board materials for their manufacturing. They have good light transmission, even and soft light effect, excellent fireproof performance and environmental standard compliance. Base plate is high quality cold-rolled sheet with phosphate spray treatment, good resistance to corrosion, wear-off and fading. All parts are made with flame-retardant materials. Some advantages of Truelite panel lights are automatic temperature control against overheating, stable performance, longer life, High efficacy, long light projection distance & convenient installation and since mercury free our panel lights are environment friendly.

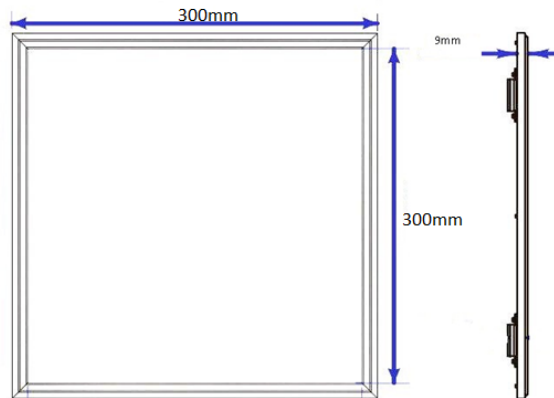
Features

- Wide input voltage range
- Side light source, Ultra-light and thin
- Flush mount installation. Don't need accessories
- Wide Beam angle
- High CRI
- IP42, CLASS 11
- Long life time and maintenance free.
- More than 65% energy saving .
- Eco friendly product-no mercury and UV.
- No starting temperature limit for LED, automatically temperature control against overheating.
- High efficiency, long light projection distance & Easy installation.
- Uniform light distribution.
- Installation: Mounted / Embedded / Hanging.
- CE, RoHS certifications.

Product Specification

Electrical Data	
Operating Voltage	AC 90 ~ 265 VAC
Frequency	50/60Hz
Driver Power Efficiency	> 85%
Rated power	18W
Power Factor(PF)	>0.9
Total Harmonic Distortion	< 20%
Power supply	Meanwell/Truelite
Dimming	Optional
Light Data	
Color Temperature	3000-6000K
Color Rendering Index	> 85
Beam Angle	110°
LED efficiency	120lm/Watt
Luminaire efficiency	84 lm/W
Luminous flux	1500lm
Led chip	Cree
Service Life	> 50000 Hours
Environmental Data	
Working Ambient Temperature	-10° To +50°
Storage temperature	-20° To +80°
IP Grade	IP 42
Cooling	Conventional
Certificate	CE,RoHS
Mechanical Data	
Product finish	Silver frame
Light Fixture Material	Aluminum frame, PC Diffuser(Opal)
Dimension	300X300X9mm(L,W,H)
Weight	< 10Kg/M2
Luminaire Fixing	Recess Mounted / Surface / Hanging
*All parameters are measured @ ambient temperature Tc 25 degree	

Fixture Dimension



Application Area

Panel lights are commonly used for ambient lighting in both residential and commercial buildings. One of the earliest applications of solid-state lighting for general illumination, LED panel lights are now widely available in a range of sizes and lumen packages, offering a viable alternative to incandescent and fluorescent products. Mainly used in bar, coffee house, shopping mall, hotel, restaurant, housing, office, showroom, counter, outdoor decoration, school, hospital etc.

Ordering Code

Truelite Driver

TLBPNL-033W018-IH (Warm white)

TLBPNL-033P018-IH (Pure white)

TLBPNL-033C018-IH (Cool white)

Meanwell driver

TLBPNL-033W018-MW (Warm white)

TLBPNL-033P018-MW (Pure white)

TLBPNL-033C018-MW (Cool white)