



[www.truelite.us](http://www.truelite.us)

## SMART STREET LIGHT

5W

Truelite's SMART street light which integrates the green-energy parts solar panel, LED lamp and the battery into a single product, with human intelligence Panasonic infrared induction sensor system to gain the solution of low-energy, long-time, high-luminance and free maintenance. And the same time, it's convenient in the shipment and installation. Solar panel, battery and LED lamp are all in one, which is waterproof. The shell is made from aluminum alloy, cooperating with good waterproof and airless technology. Smart Street light is dustproof, waterproof, anti-static, shocking resistance, so it can be suitable for outdoors application. The reflective cup technology used in this product helps to raise the lumen of led by more than 30%.

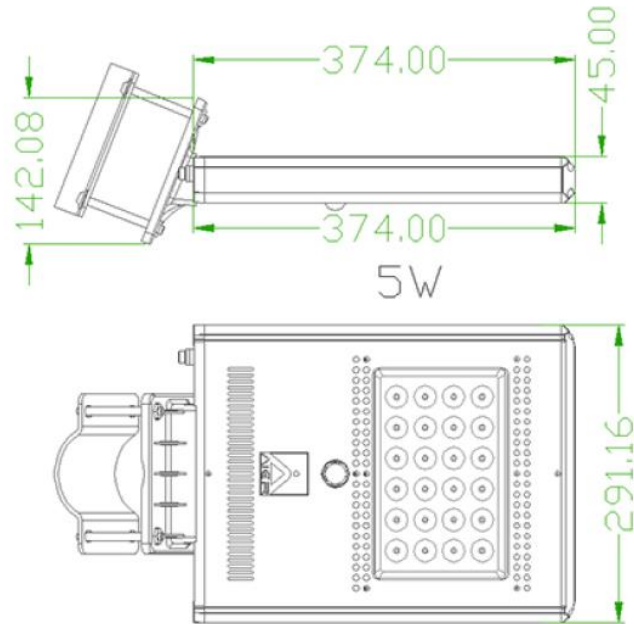
### Features

- The creative reflector design can efficiently raise the lumen over 30%.
- Easy installation, suitable a range of pole from 60mm to 90mm diameter.
- Uses new generation, high quality LiFePO4 batteries and unique TWIN battery group arrangement to realize the goal of 8-10 year's maintenance.
- The unique design of thief proof, common tool cannot remove the light from the pole, zero stealing after installation.
- Light up automatically at night and automatically off when sunlight come.
- Adopting the human body infrared induction control technology, light up when people go by while dimming when people go away.
- Module design each inner parts, easy installation and maintenance.
- High efficiency solar panel and large capacity of battery arrangement ensure it can support 3 raining days
- CE, RoHS certification.

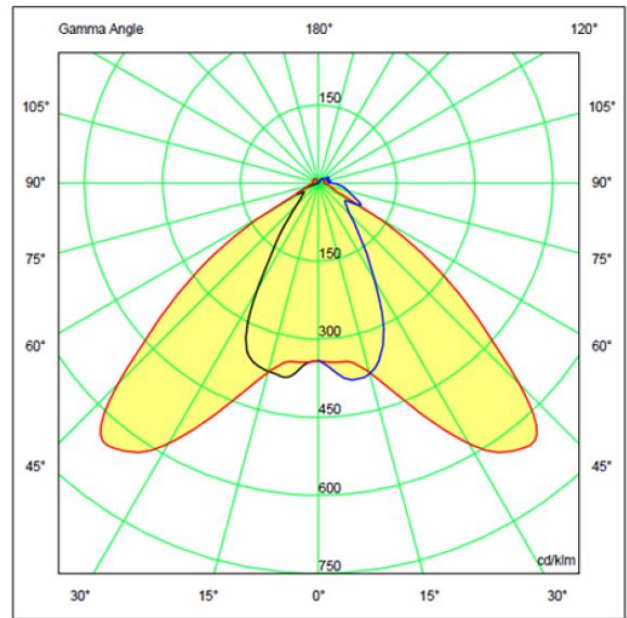
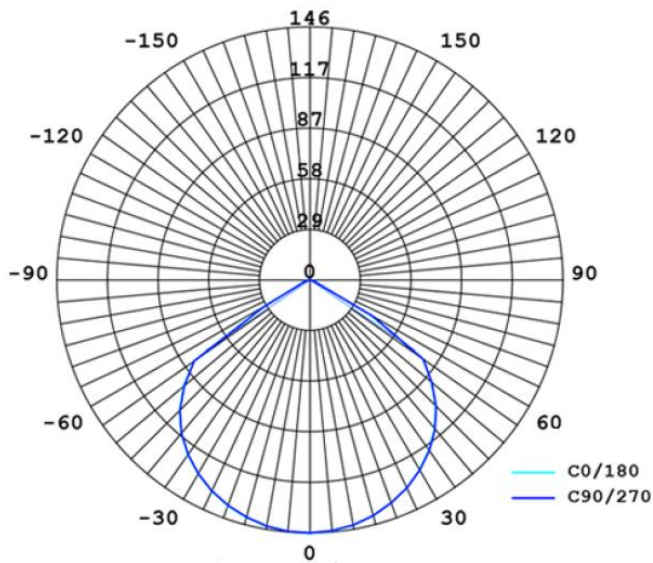
## Product Specification

Electrical Data	
Rated power	5W
Input Power	Solar Energy
Power supply	DC-DC
Solar Panel	12W
Battery	Lithium-Ion LiFePO4 5.2AH
Charging time	6-10 hours
Sensor	12 meter remote Panasonic PIR sensor
Dimming	Yes
Light Data	
Color Temperature	5000-6000K
Color Rendering Index	>70
Beam Angle (Round)	120°
Efficiency of led	120 lm/W
Light distribution curve	Round
Luminous flux(Full power mode)	600lm
Luminous flux(power saving mode)	200lm
Light Threshold	30 lux
Working Hour(Full power , power saving mode)	> 10 Hour , >30 Hour
Service Life	>50000 Hours
Environmental Data	
Working Ambient Temperature (charging /discharging mode)	(-0° to +60°)/ (-20° to +60°)
Storage temperature	-20° To +80°
IP Grade	IP 65
Relative Humidity(RH)	10%-95%
Certificate	CE,RoHS
Mechanical Data	
Product finish	Silver
Light Fixture Material	Aluminum body+ Reflector
Dimension	374x291x45mm
Suggested mounting Height	3 to 5 meter
Luminaire Fixing	Pole mounted
*All parameters are measured @ ambient temperature Tc 25 degree	

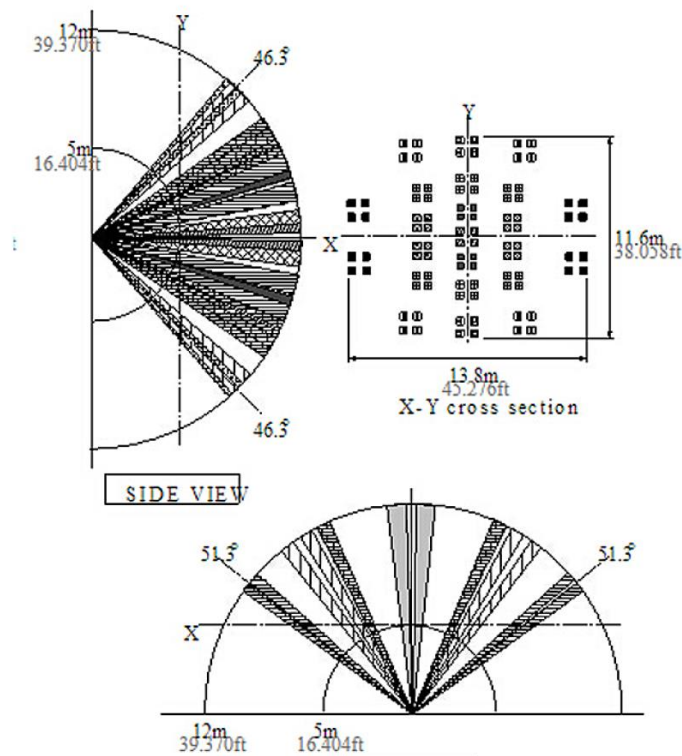
Fixture Dimension



Light Distribution



## PIR SENSOR



## Application Area

Solar integrated LED street light is an ideal solution for energy efficient lighting retrofit in Solar led Street Light, Pathway Lighting, Ramp, Lighting, Sidewalk Lighting, Private Road Lighting, Square Lighting, Jogging and Bike Path Lighting, Farm & Ranch Lighting, Park Lighting, Gate Lighting, Yard Lighting, Campus Lighting, Boat Dock Lighting, Remote Area Lighting, Parking Lot Lighting.

## Ordering Code

TLBAIO-120C005-IH